

**COLOUR**  
 NOTES: STAIN COLOUR TO BE PEWTER BY CLOVERDALE

- NOTES:**
- ALL HARDWARE TO BE GALVANIZED
  - NAILS TO BE 89mm COATED
  - FENCE TO BE LOCATED WHOLLY ON PRIVATE PROPERTY, WITH 150mm SETBACK FROM PUBLIC PROPERTY LINES.
  - PUBLIC SIDE RAIL IS (1"x8"); STRUCTURAL RAIL ( PRIVATE SIDE ) IS (2"x8")

- STAIN NOTES:**
- FIRST COAT EVENLY APPLIED PRIOR TO ASSEMBLY WITH ALL CUT ENDS DIPPED.
  - SECOND COAT EVENLY APPLIED TO COVER ALL EXPOSED SURFACES OF FENCE IN PLACE.
  - STAIN TO BE APPLIED AS PER MANUFACTURER'S SPEC.

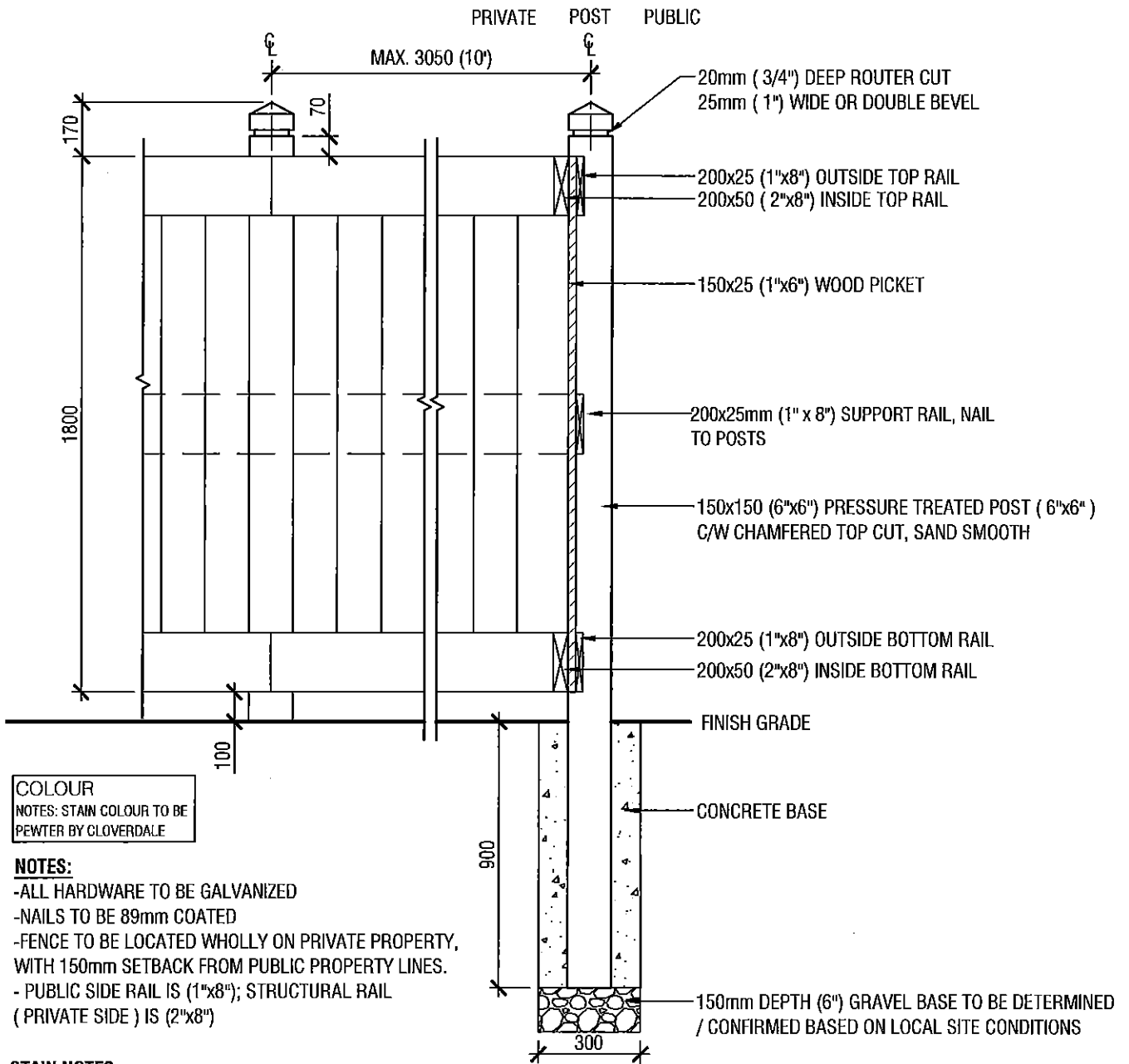
- LOCATION NOTES:**
- ALL SIDYARD FENCES TO BE TIED BACK TO THE HOUSE
  - TIE-BACK TO BE BUILT WITHIN 2-5m OF THE FRONT EDGE OF THE HOUSE

# GRANVILLE

## DESIGN GUIDELINES - TRUE ESTATE

### UPGRADED WOOD SCREEN FENCE DETAIL (PUBLIC EXPOSURE)





**COLOUR**  
NOTES: STAIN COLOUR TO BE  
PEWTER BY CLOVERDALE

**NOTES:**

- ALL HARDWARE TO BE GALVANIZED
- NAILS TO BE 89mm COATED
- FENCE TO BE LOCATED WHOLLY ON PRIVATE PROPERTY, WITH 150mm SETBACK FROM PUBLIC PROPERTY LINES.
- PUBLIC SIDE RAIL IS (1"x8"); STRUCTURAL RAIL (PRIVATE SIDE) IS (2"x8")

**STAIN NOTES:**

- FIRST COAT EVENLY APPLIED PRIOR TO ASSEMBLY WITH ALL CUT ENDS DIPPED.
- SECOND COAT EVENLY APPLIED TO COVER ALL EXPOSED SURFACES OF FENCE IN PLACE.
- STAIN TO BE APPLIED AS PER MANUFACTURER'S SPEC.

**LOCATION NOTES:**

- ALL SIDYARD FENCES TO BE TIED BACK TO THE HOUSE
- TIE-BACK TO BE BUILT WITHIN 2-5m OF THE FRONT EDGE OF THE HOUSE

**GRANVILLE**  
DESIGN GUIDELINES - TRUE ESTATE  
UPGRADED WOOD SCREEN FENCE DETAIL (NON PUBLIC EXPOSURE)

